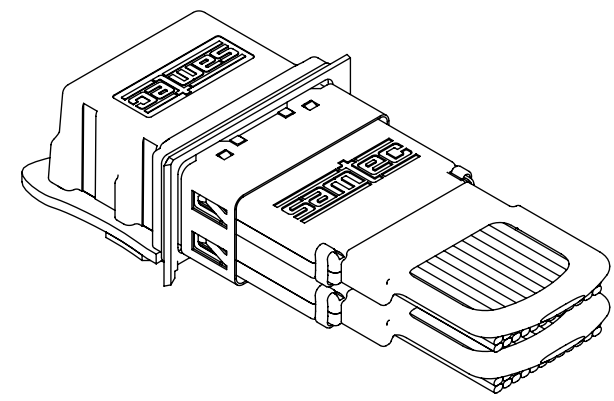
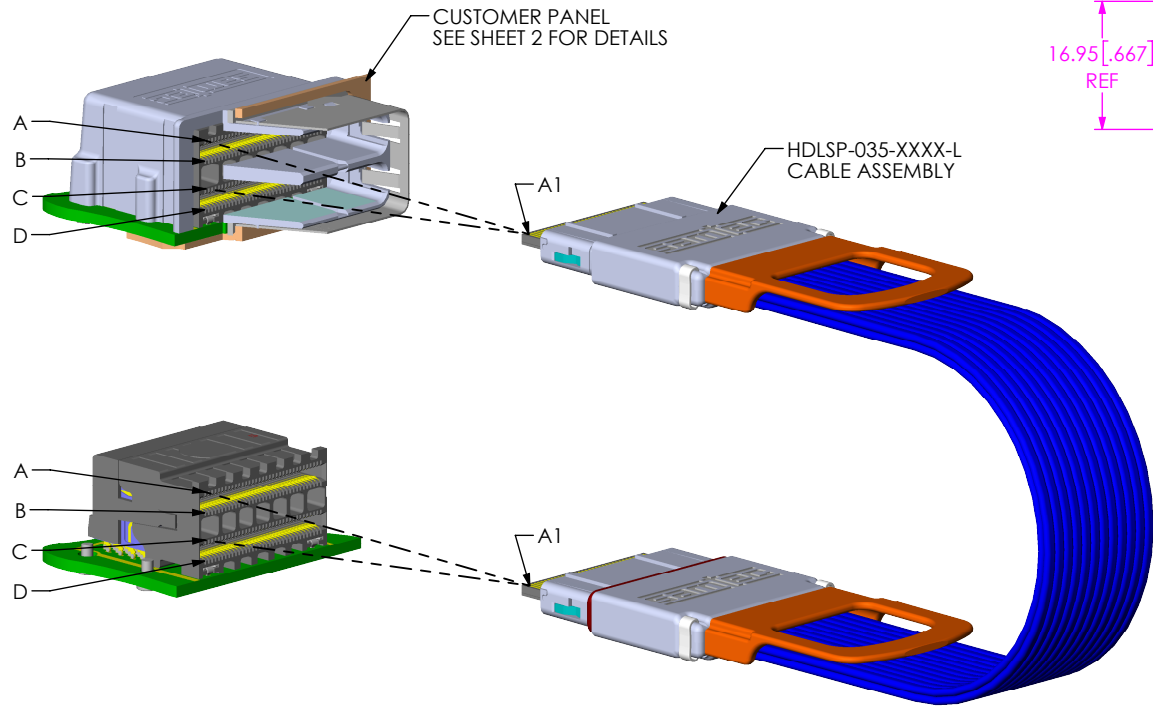
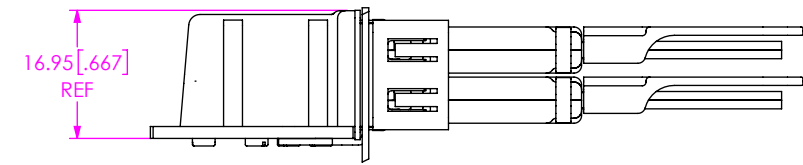
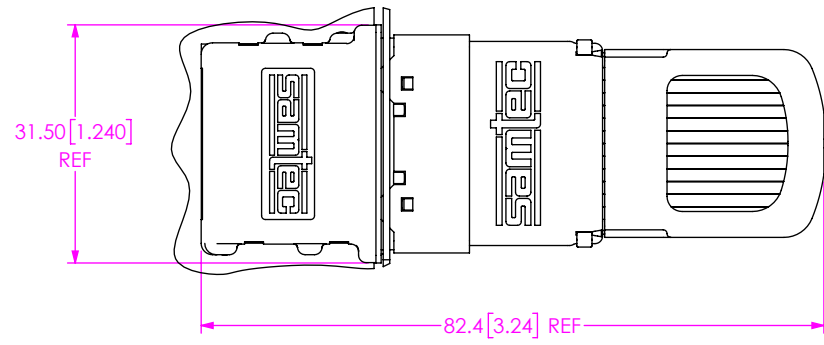


DO NOT SCALE FROM THIS PRINT



A1 ON CABLE ASSEMBLY CAN MATE TO A1 OR C1 IN CUSTOMER PANEL

PROPRIETARY NOTE
 THIS DOCUMENT CONTAINS CONFIDENTIAL AND PROPRIETARY INFORMATION AND ALL DESIGN, MANUFACTURING, REPRODUCTION, USE, PATENT RIGHTS AND SALES RIGHTS ARE EXPRESSLY RESERVED BY SAMTEC, INC. THIS DOCUMENT SHALL NOT BE DISCLOSED, IN WHOLE OR PART, TO ANY UNAUTHORIZED PERSON OR ENTITY NOR REPRODUCED, TRANSFERRED OR INCORPORATED IN ANY OTHER PROJECT IN ANY MANNER WITHOUT THE EXPRESS WRITTEN CONSENT OF SAMTEC, INC.

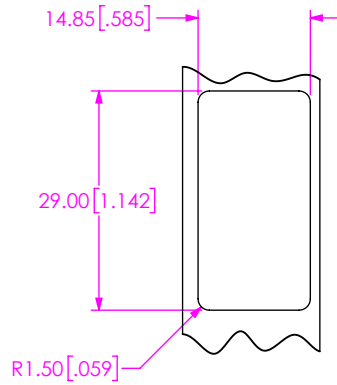
DO NOT SCALE DRAWING
 SHEET SCALE: 1:1



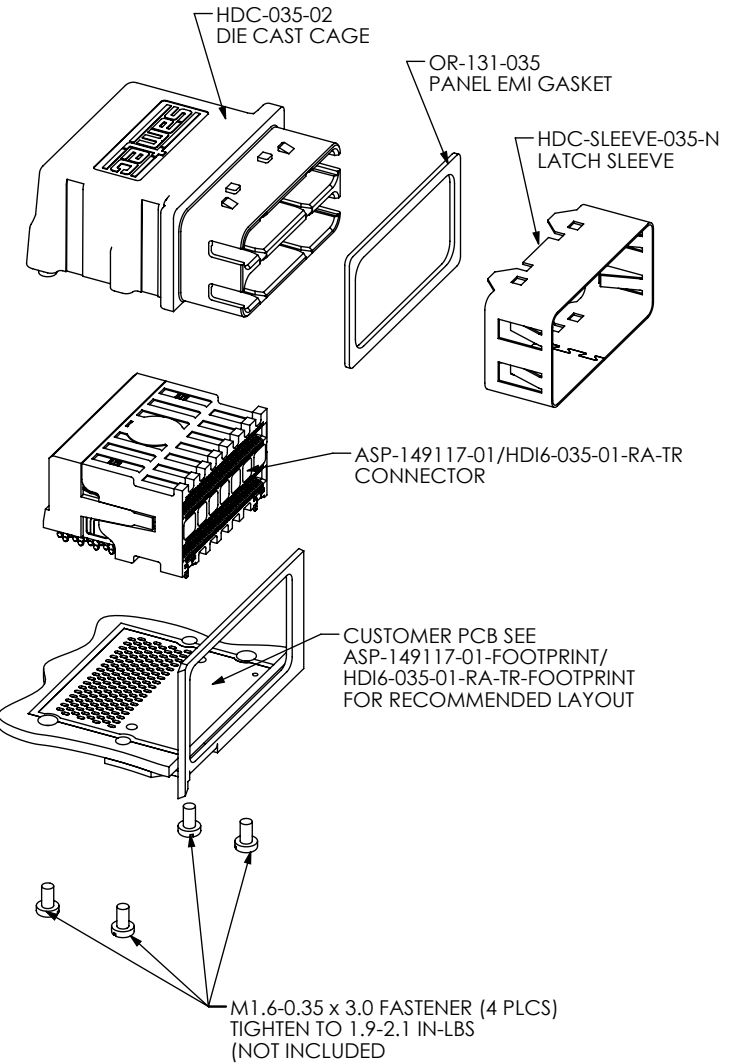
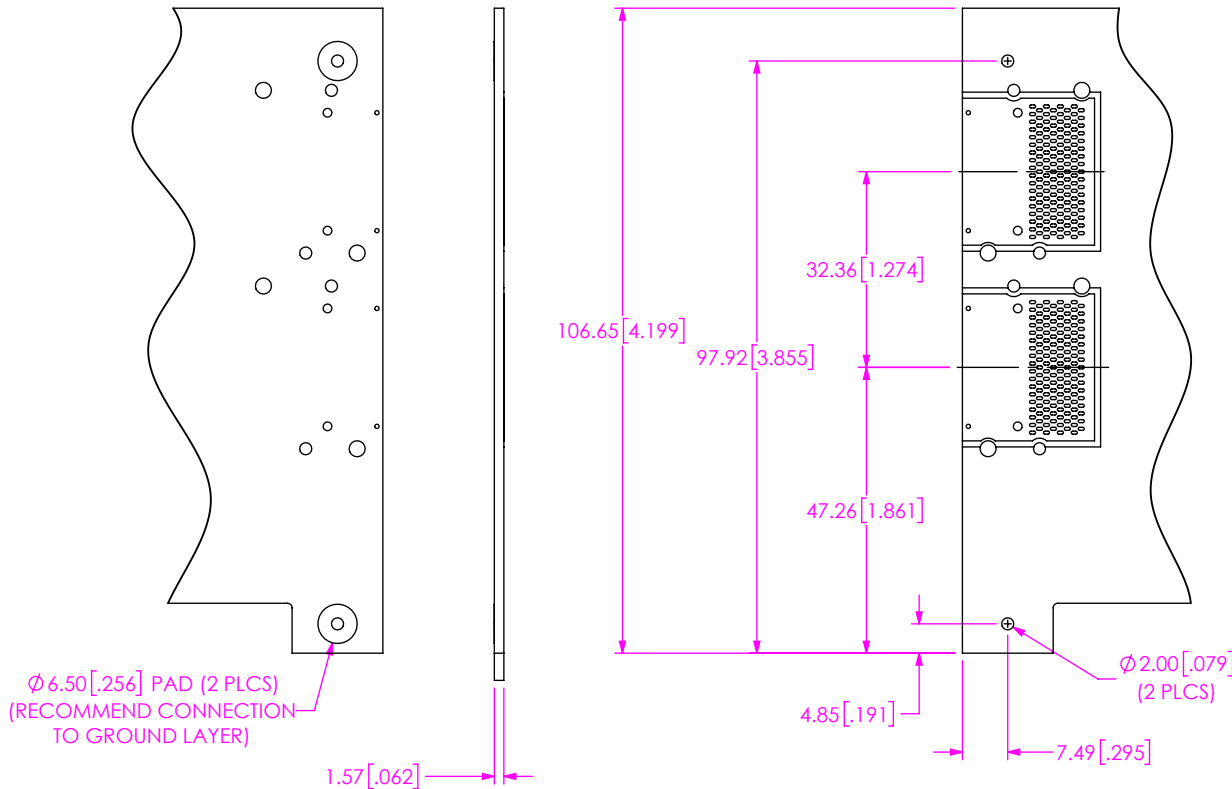
520 PARK EAST BLVD, NEW ALBANY, IN 47150
 PHONE: 812-944-6733 FAX: 812-948-5047
 e-Mail info@SAMTEC.com code 55322

DESCRIPTION:
 HDI6, HDC-L, & HDLSP-L APPLICATION
 DWG. NO. HDLSP-L APPLICATION
 BY: D.SCHMELZ 1/28/2015 SHEET 1 OF 2

PANEL OPENING
(FOR 2 PORT LAYOUT
SEE SK-13246-XX DRAWING)



PCB LAYOUT
(FOR DETAILS NOT SHOWN SEE
ASP-149117-01-FOOTPRINT/HDI6-035-01-RA-TR-FOOTPRINT)



PROPRIETARY NOTE
THIS DOCUMENT CONTAINS CONFIDENTIAL AND PROPRIETARY INFORMATION AND ALL DESIGN, MANUFACTURING, REPRODUCTION, USE, PATENT RIGHTS AND SALES RIGHTS ARE EXPRESSLY RESERVED BY SAMTEC, INC. THIS DOCUMENT SHALL NOT BE DISCLOSED, IN WHOLE OR PART, TO ANY UNAUTHORIZED PERSON OR ENTITY NOR REPRODUCED, TRANSFERRED OR INCORPORATED IN ANY OTHER PROJECT IN ANY MANNER WITHOUT THE EXPRESS WRITTEN CONSENT OF SAMTEC, INC.

DO NOT SCALE DRAWING

SHEET SCALE: 1:1



520 PARK EAST BLVD, NEW ALBANY, IN 47150
PHONE: 812-944-6733 FAX: 812-948-5047
e-Mail: info@SAMTEC.com code 55322

DESCRIPTION:
HDI6, HDC-L, & HDLSP-L APPLICATION

DWG. NO. HDLSP-L APPLICATION

BY: D.SCHMELZ 1/28/2015 SHEET 2 OF 2